



manufactured by Eric'son

**SPECIFICATION SHEET**  
**CD12**

DESCRIPTION: **HEAVY DUTY STAINLESS STEEL FLOOR DRAIN**

**SELECT OUTLET SIZE AND TYPE**

OUTLET NORMAL SIZE ( IN )	SCH10	SCH40	PUSH FIT
3"			
4"			
6"			
8"			
OTHER: ___"			

**OPTIONS (SELECT ONE PER ROW)**

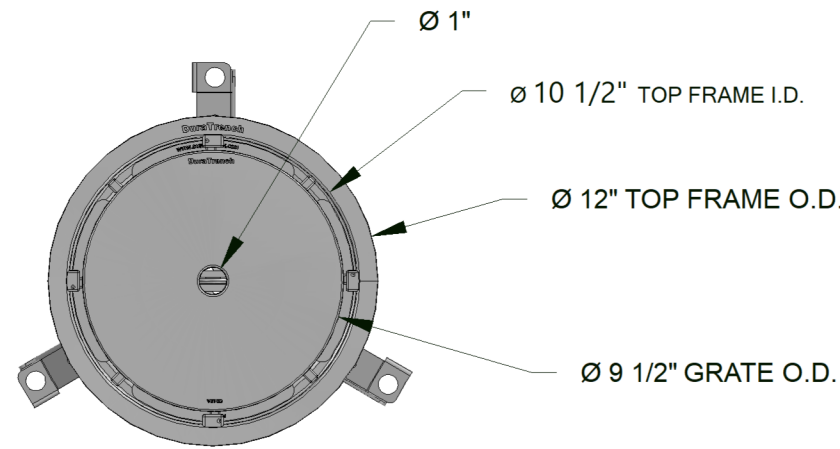
GRATE/COVER	CD10A	CD10B	CD10C
LOCKING SET SCREWS	YES	NO	
STRAINER TYPE	STRAINER BASKET	OUTLET PROTECTOR	BOTH
SELECT DEPTH	6 1/4"	10 1/4"	
CLAMPING COLLAR	YES	NO	

**PRODUCT DATA**

MATERIAL:	SEAMLESS T316 SS
FINISH:	GLASS BEAD BLAST TYP.(OTHERS AVAILBLE
INSTALL DEVICE:	RIGIED STAMPED METAL BRACKETS FOR #4 REBAR
LOAD RATING:	ASME EXTRA HEAVY DUTY
OUTLET SIZE:	AS SPECIFIED (4IN SCH10 SHOWN)
LOCKING DEVICE:	OPTIONAL SCREWS - CDLC12

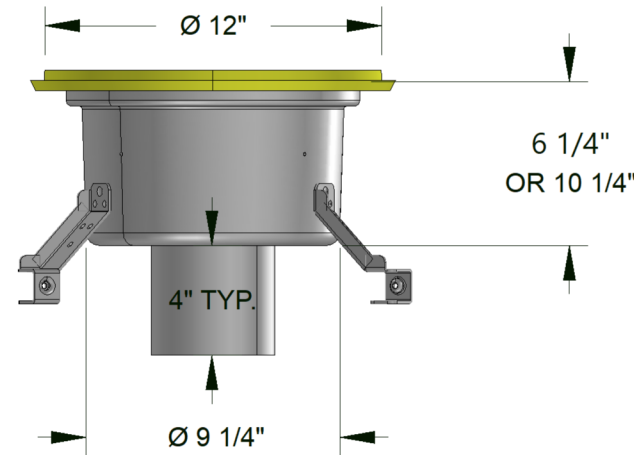
PHONE: 770-505-6575	MODEL BY: JDP
296 INDUSTRIAL BLVD. N. DALLAS, GA 30132	DRAWING BY: TAA
	REVIEWED BY: LRC
222 WEST 33RD ST. OGDEN, UT 84401	DATE: 09/10/2024
13300 RAMBLEWOOD DR. CHESTER, VA 23836	SCALE: 1 : 4
	REV # : 0

[WWW.DURATRENCH.COM](http://WWW.DURATRENCH.COM)

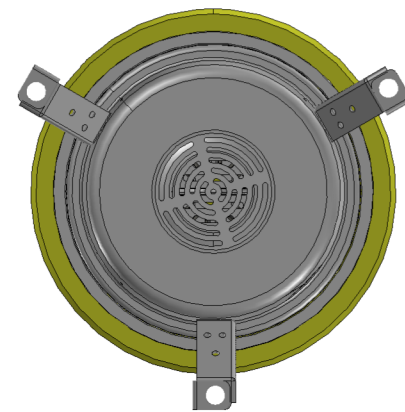


**TOP VIEW**

(RUBBER COVER HIDDEN FOR CLARITY)

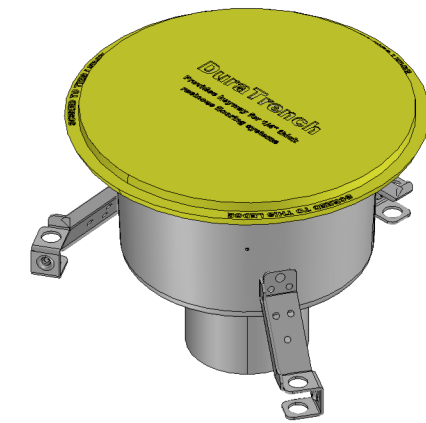


**SIDE VIEW**

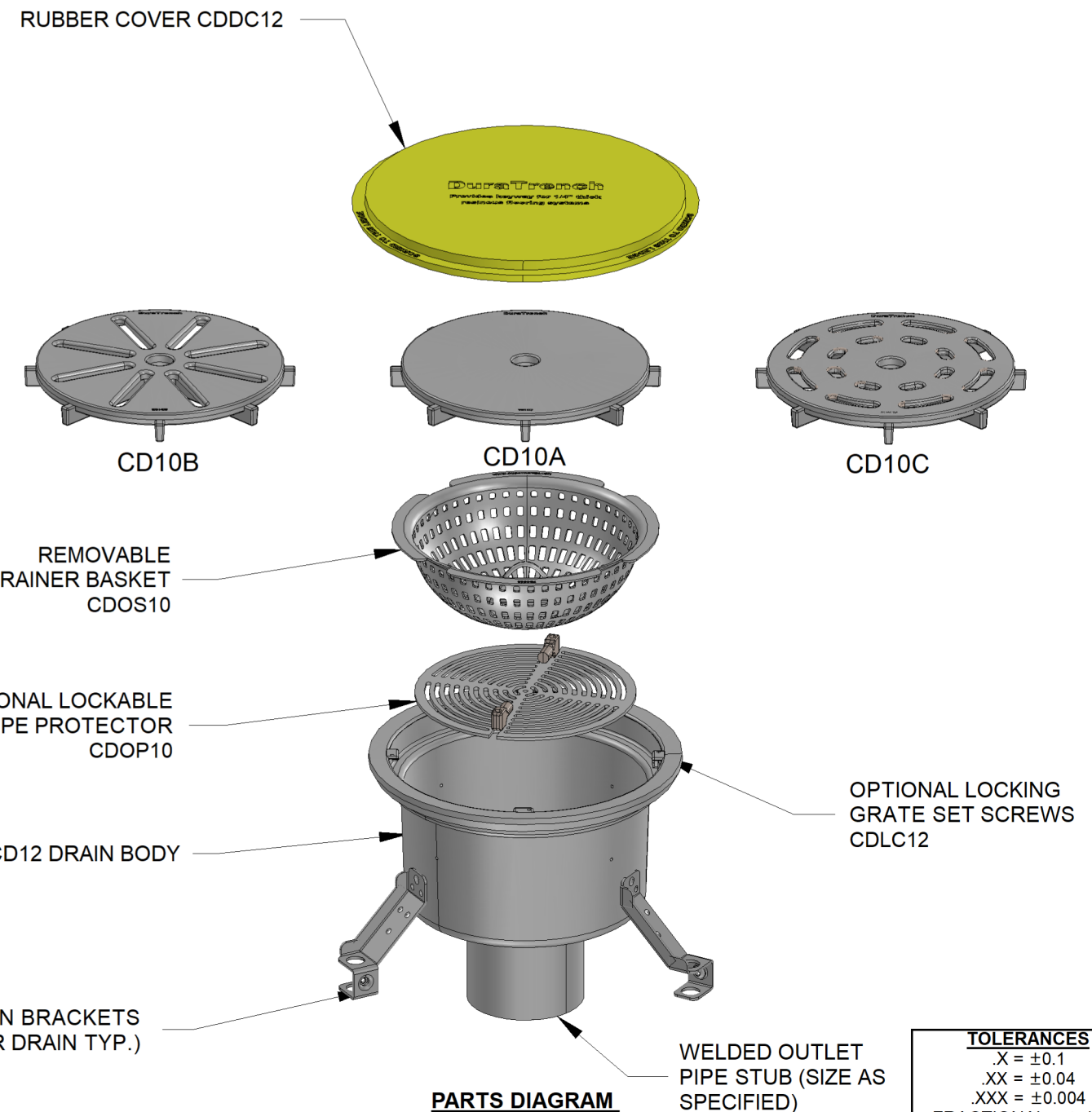


**BOTTOM VIEW**

NOTE: CLAMPING COLLAR AVAILABLE, NOT DEPICTED



**ISOMETRIC VIEW**



**PARTS DIAGRAM**

**TOLERANCES**

X	= ±0.1
.XX	= ±0.04
.XXX	= ±0.004
FRACTIONAL	= ± 1/16"
ANGULAR	= ± 0.5°