



SPECIFICATION SHEET
STSG-INTEGRAL (T304)
STRG-INTEGRAL (T316)

DESCRIPTION:
STAINLESS STEEL TRENCH DRAIN

WRITTEN SPECIFICATION:

BODY
 Trench drain shall be DuraTrench as manufactured by Eric'sons, 296 Industrial Blvd N., Dallas, GA 30132 - (770-505-6575). The trench drain body shall be straight and constructed from 14ga (typical) T304 stainless steel (T316 available) per ASTM-A240 and have a minimum clear opening per selected width. Sections shall be 120" long (typical) but can be fabricated in longer lengths as required (up to 50' lengths possible) and have a built in slope of 1/8" per foot (typical). The sections shall bolt together via a flange and can be sealed with a gasket or by on site welding. Each of the sections shall be labeled to indicate proper flow and placement. Trench body shall have a class 2b finish standard. Optional mill or bead blast finish as required on the contract documents.

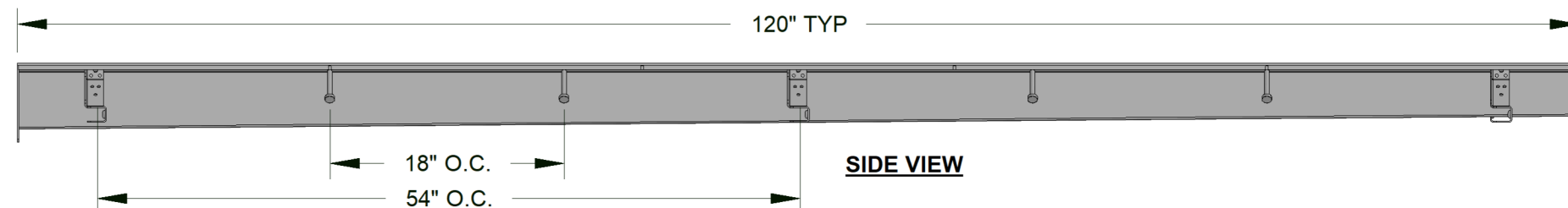
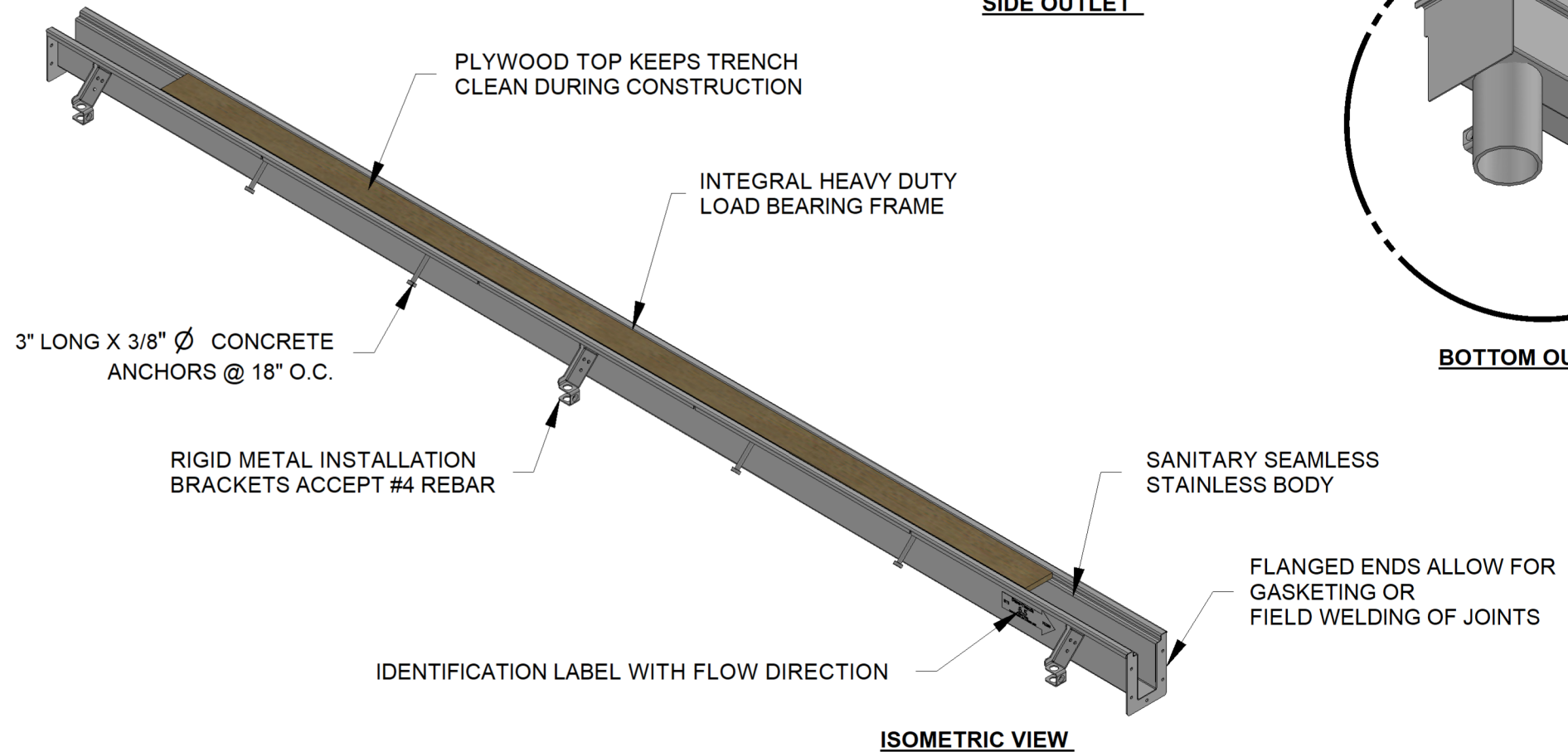
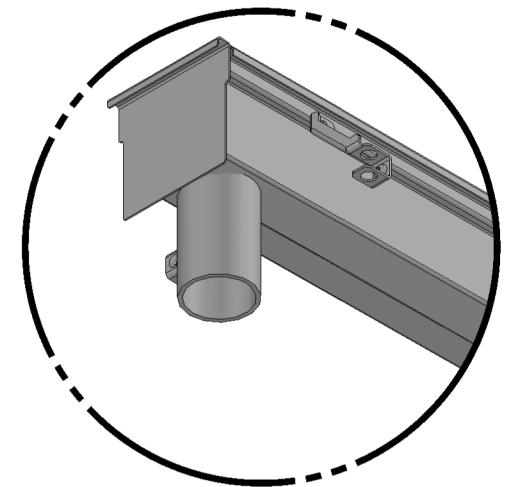
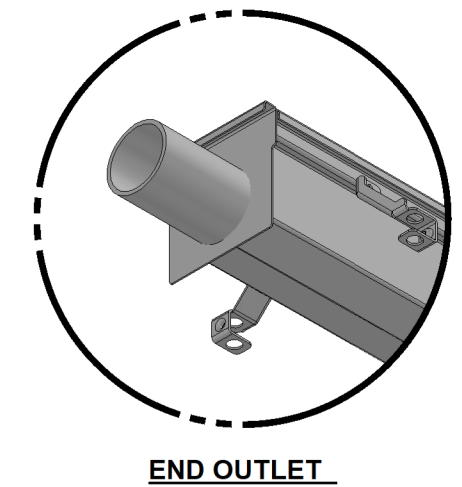
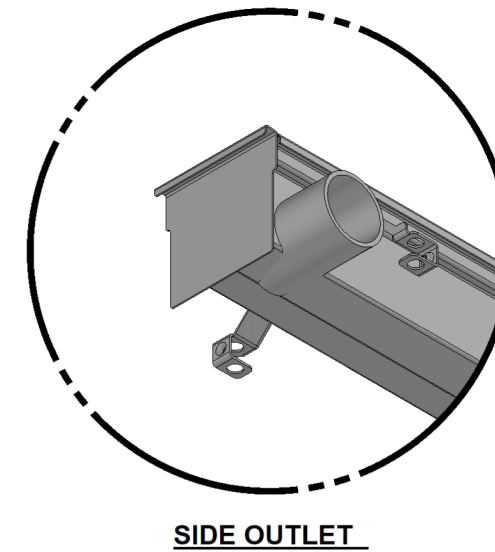
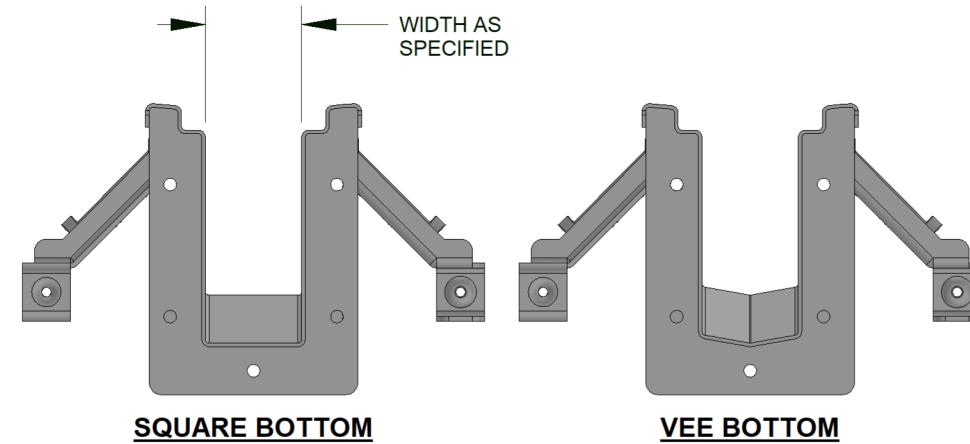
FRAME
 Frame is integrally formed into the trench body to ensure a smooth and sanitary trench body.

| PRODUCT DATA | |
|---|---------------------------------|
| MATERIAL: | STAINLESS STEEL |
| FINISH: | CLASS 2B STANDARD |
| ANCHORS: | 3" X 3/8" Ø |
| INSTALL DEVICE | RIGID STAMPED METAL FOR #4 BARS |
| LOAD RATING: | HEAVY DUTY |
| PHONE: 770-505-6575 | MODEL BY: JDP |
| 296 INDUSTRIAL BLVD. N. DALLAS, GA 30132 | DRAWING BY: TAA |
| | REVIEWED BY: LRC |
| 222 WEST 33RD ST. OGDEN, UT 84401 | DATE: 09/06/2024 |
| | SCALE: 1 : 4 |
| 13300 RAMBLEWOOD DR. CHESTER, VA 23836 | REV #: 0 |

WWW.DURATRENCH.COM

NOTES

- SHIPS WITH ADDITIONAL 2FT OF PLYWOOD (NOT SHOWN) PER SECTION TO COVER JOINTS AFTER FIELD WELDING.
- ALL TRENCHES ARE FACTORY ASSEMBLED AND READY FOR SITE INSTALLATION



SELECT PROFILE
 - VEE BOTTOM
 - SQUARE BOTTOM

SELECT MATERIAL
 - T304 SS
 - T316 SS

SELECT WIDTH
 2" - 4" - 6" - 8" - 10" - 12" - 15"
 18" - 21" - 24" - 30" - 36" - 48"

TOLERANCES
 X = ±0.1
 .XX = ±0.04
 .XXX = ±0.004
 FRACTIONAL = ± 1/16"
 ANGULAR = ± 0.5°