



manufactured by Eric'ron

**SPECIFICATION SHEET  
HUB DRAIN**

**DESCRIPTION:**

**GENERIC STAINLESS STEEL HUB DRAIN**

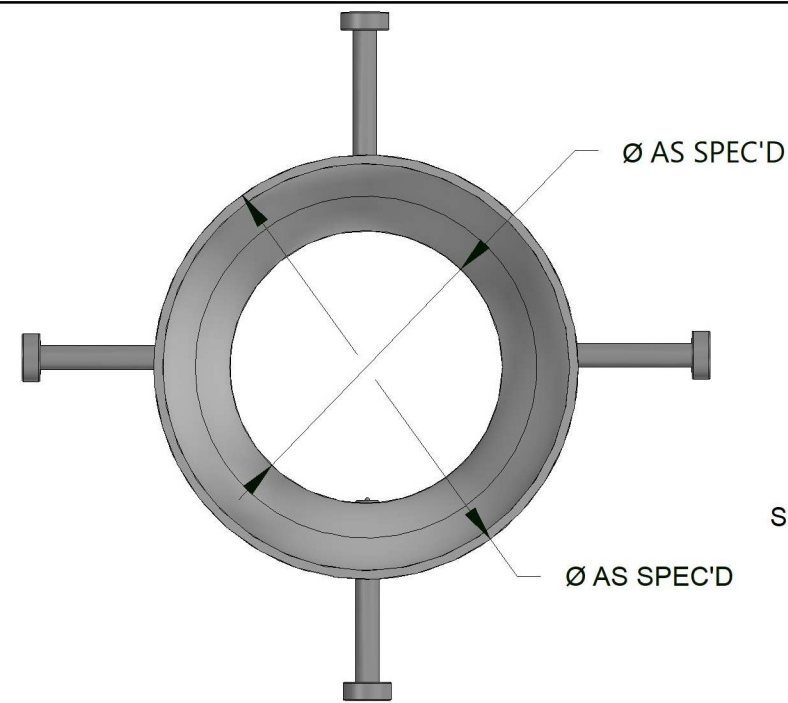
**WRITTEN SPECIFICATION:**

HUB DRAIN TO BE TO BE T304 STAINLESS STEEL (T316 AVAILABLE). HUB DRAIN MANUFACTURED USING SCHEDULE 10 STAINLESS STEEL TO THE SPECIFIED SIZE.

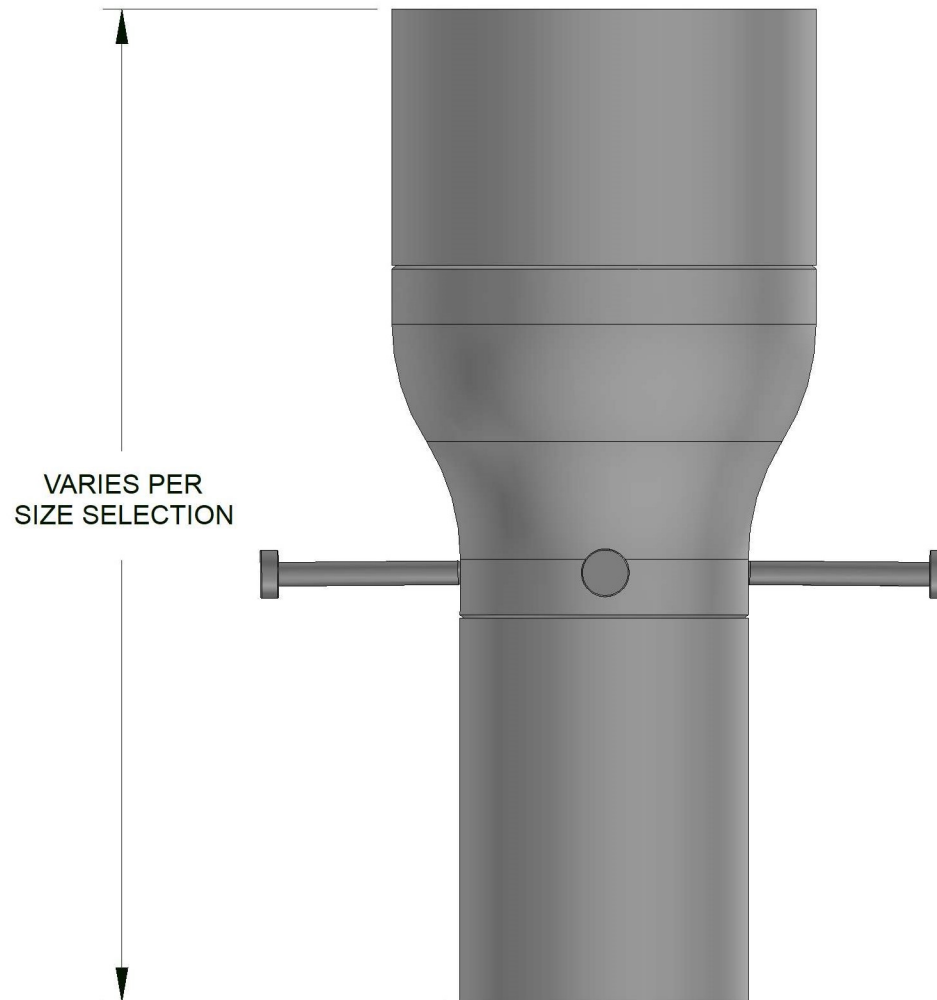
**PRODUCT DATA**

<b>MATERIAL:</b>	STAINLESS STEEL		
<b>FINISH:</b>	BEAD BLASTED		
PHONE: 770-505-6575	<b>MODEL BY:</b>	J.D.P.	
296 INDUSTRIAL BLVD. N. DALLAS, GA 30132	<b>DRAWING BY:</b>	J.D.P.	
	<b>REVIEWED BY:</b>	L.R.C.	
222 WEST 33RD ST. OGDEN, UT 84401	<b>DATE:</b>	09/10/2024	
13300 RAMBLEWOOD DR. CHESTER, VA 23836	<b>SCALE:</b>	1 : 3	
	<b>REV # :</b>	0	

[WWW.DURATRENCH.COM](http://WWW.DURATRENCH.COM)



**TOP VIEW**



**FRONT VIEW**

SCH. 10 STAINLESS STEEL  
LARGER DIAMETER  
UPPER PIPE

SCH. 10  
STAINLESS STEEL  
REDUCER PER  
REQUIRED SIZES

SCH. 10 STAINLESS STEEL  
SMALLER DIAMETER  
LOWER PIPE

SEAMLESS  
WELDED  
CONSTRUCTION

3" LONG X 3/8" Ø  
CONCRETE  
ANCHORS @ 18" O.C.

**ISOMETRIC VIEW**

**SIZE SELECTION**

□4" X 2" □6" X 3" □6" X 4" □8" X 4" □\*CUSTOM \_\_\_\_" X \_\_\_\_"

\*CUSTOM SIZE REQUESTS DEPENDENT UPON MATERIAL AVAILABILITY

**GRADE SELECTION**

□T316 STAINLESS STEEL

**TOLERANCES**

X = ±0.1  
.XX = ±0.04  
.XXX = ±0.004  
FRACTIONAL = ± 1/16"  
ANGULAR = ± 0.5°