



manufactured by Eric'ron

**SPECIFICATION SHEET**  
**CDCOx CLEANOUT**

**DESCRIPTION:**

**STAINLESS STEEL CLEANOUT PORT**

**WRITTEN SPECIFICATION:**

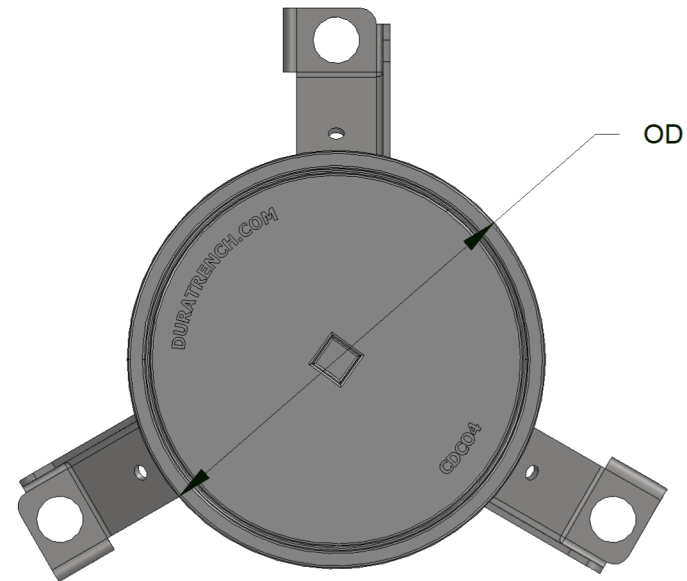
CLEANOUT PORT AND COVER TO BE CAST FROM T316 STAINLESS STEEL. COVER TO BE RATED FOR FORKLIFT TRAFFIC.

**PRODUCT DATA**

<b>MATERIAL:</b>	T316 STAINLESS STEEL
<b>FINISH:</b>	BEAD BLASTED
<b>ADA COMPLIANT:</b>	YES
<b>HEEL PROOF:</b>	YES
<b>LOCKING DEVICE:</b>	TWIST FIT
<b>LOAD RATING:</b>	ASME EXTRA HEAVY DUTY

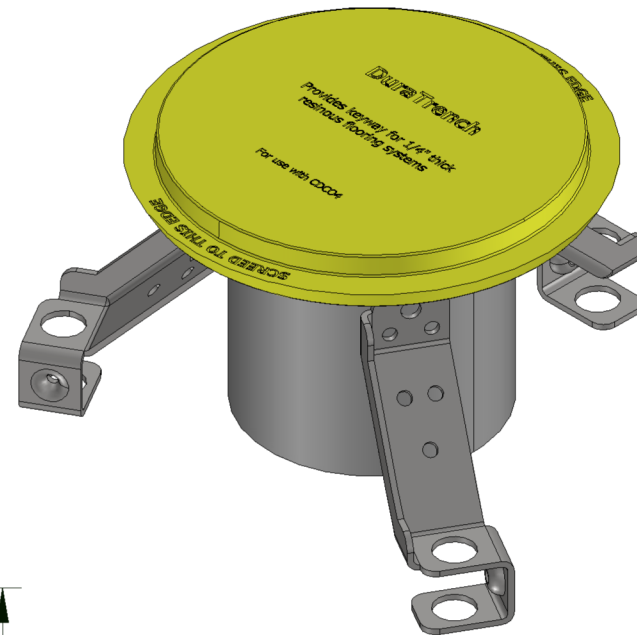
PHONE: 770-505-6575	<b>MODEL BY:</b>	L.R.C.
296 INDUSTRIAL BLVD. N. DALLAS, GA 30132	<b>DRAWING BY:</b>	J.D.P.
	<b>REVIEWED BY:</b>	L.R.C.
222 WEST 33RD ST. OGDEN, UT 84401	<b>DATE:</b>	09/10/2024
13300 RAMBLEWOOD DR. CHESTER, VA 23836	<b>SCALE:</b>	1 : 2
	<b>REV # :</b>	0

[WWW.DURATRENCH.COM](http://WWW.DURATRENCH.COM)

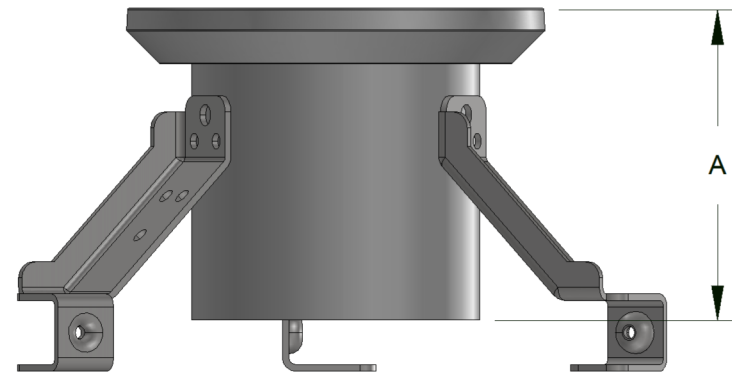


**TOP VIEW**

OD



**ISOMETRIC VIEW**



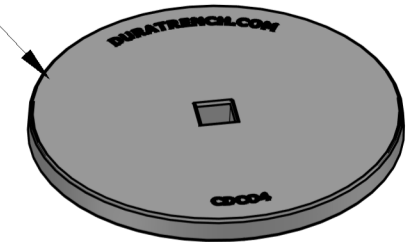
**SIDE VIEW**

A

RUBBER COVER FOR RESINOUS FLOORING KEYWAY



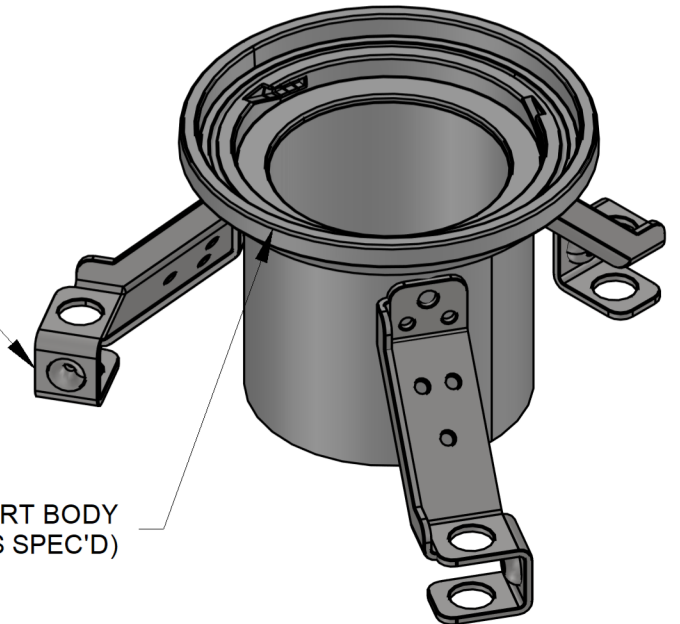
FORKLIFT RATED STAINLESS STEEL COVER



TRAP SEAL / GASKET



INSTALLATION BRACKET FOR ANCHORING AND LEVELING CLEANOUT



CLEANOUT PORT BODY (SIZE AS SPEC'D)

**PARTS DIAGRAM**

**SIZE SELECTION**

□Ø3" (CDCO3)	□Ø4" (CDCO4)	□Ø6" (CDCO6)
A = 4.9"	A = 4.9"	A = 3.75"
OD = 5.5"	OD = 6.5"	OD = 7.4"

**TOLERANCES**

X = ±0.1
.XX = ±0.04
.XXX = ±0.004
FRACTIONAL = ± 1/16"
ANGULAR = ± 0.5°