



manufactured by Eric'sons

SPECIFICATION SHEET
FS12

DESCRIPTION:
STAINLESS STEEL FLOOR SINK

WRITTEN SPECIFICATION:

BODY
Floor sink shall be DuraTrench as manufactured by Eric'sons, 296 Industrial Blvd N., Dallas, GA 30132 - (770-505-6575). The floor sink body shall be constructed from 14ga (typical) T304 stainless steel (T316 available) per ASTM-A240 Floor sink body shall have a class 2b finish standard. Optional bead blast finish as required on the contract documents.

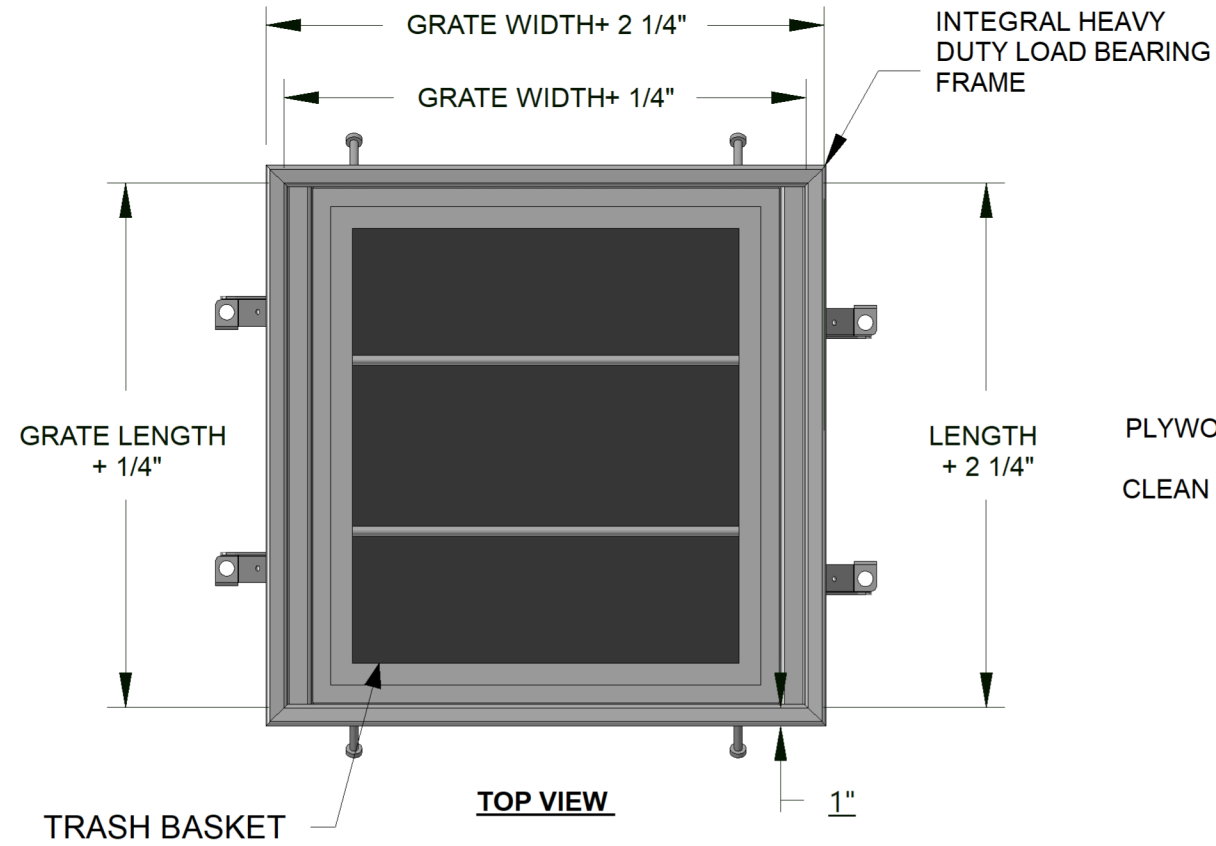
FRAME
Frame is integrally formed into the trench body to ensure a smooth and sanitary trench body.

- ADDITIONAL OPTIONS**
- TRASH BASKET (1/8" HOLES)
 - TRASH BASKET (1/4" HOLES)
 - ANCHOR FLANGE
 - CLAMPING COLLAR W/WEEP HOLES
 - TRAP PRIMER CONNECTION

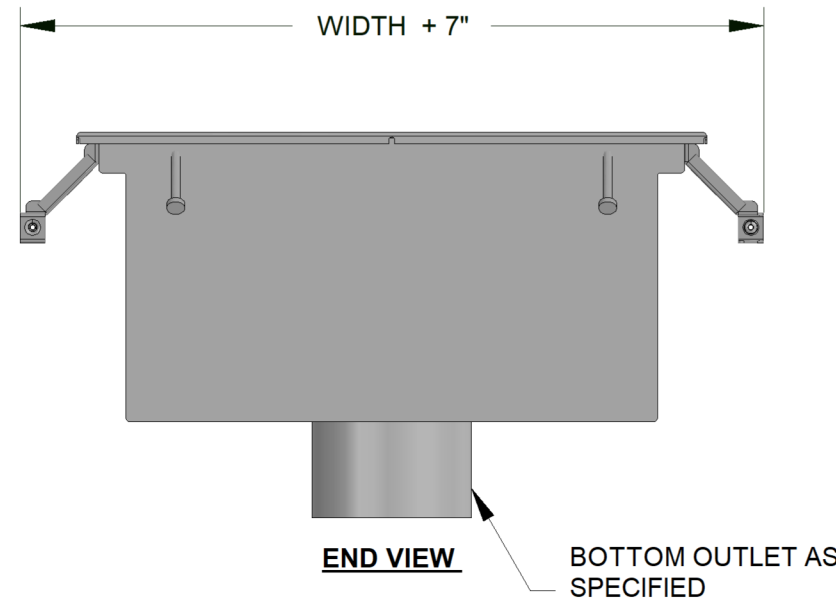
PRODUCT DATA	
MATERIAL:	STAINLESS STEEL
FINISH:	CLASS 2B STANDARD
ANCHORS:	3" X 3/8" Ø
INSTALL DEVICE	RIGID STAMPED METAL FOR #4 BARS
LOAD RATING:	HEAVY DUTY
PHONE: 770-505-6575	MODEL BY: JDP
296 INDUSTRIAL BLVD. N. DALLAS, GA 30132	DRAWING BY: TAA
	REVIEWED BY: LRC
222 WEST 33RD ST. OGDEN, UT 84401	DATE: 09/06/2024
13300 RAMBLEWOOD DR. CHESTER, VA 23836	SCALE: 1 : 4
	REV #: 0

WWW.DURATRENCH.COM

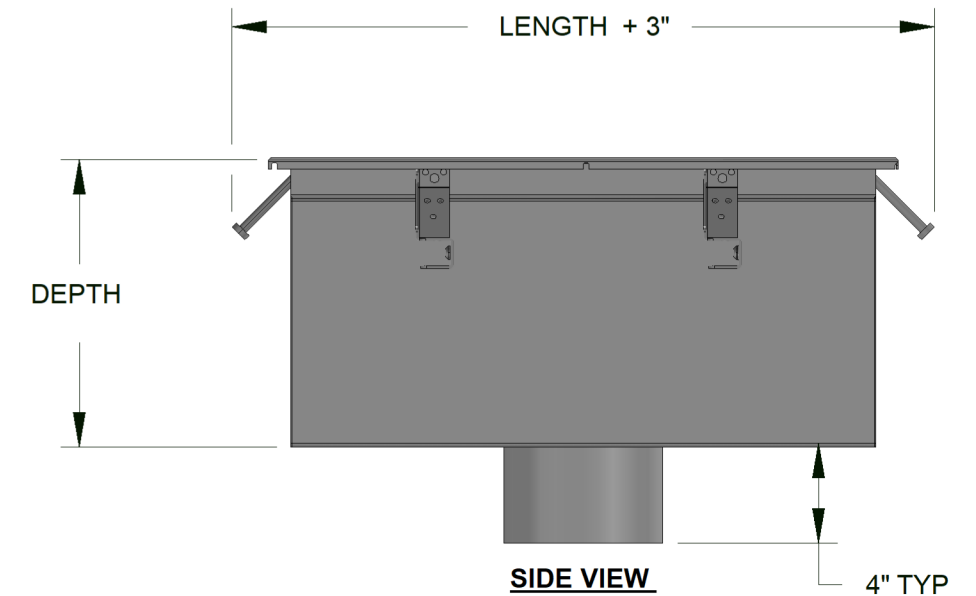
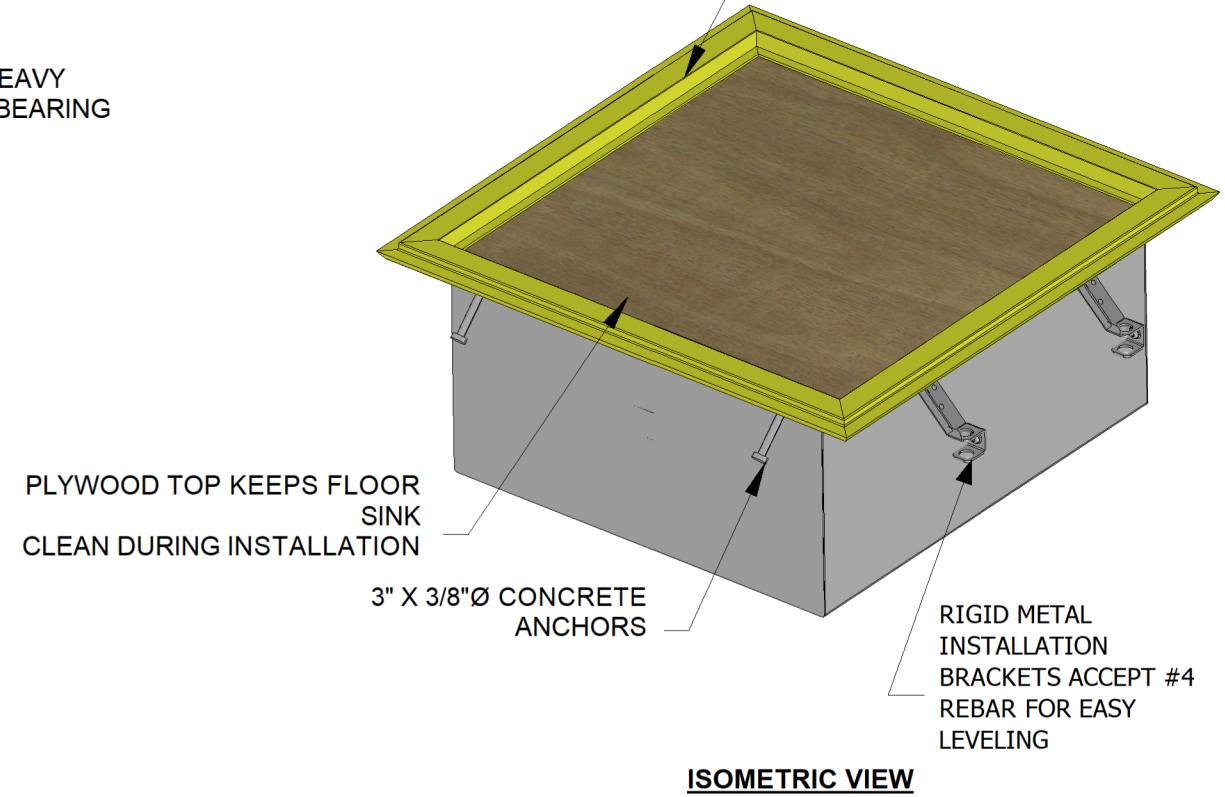
NOTES
ALL SYSTEMS ARE FACTORY ASSEMBLED AND READY FOR SITE INSTALLATION



(PLYWOOD & GRATE HIDDEN FOR CLARTY)



RUBBER EDGE COVER FOR 1/4 in RESINOUS FLOORING SYSTEMS



GRATE SIZE (W x L) <input type="checkbox"/> - 12" X 12" <input type="checkbox"/> - 18" X 18" <input type="checkbox"/> - 24" X 24" <input type="checkbox"/> - OTHER: __	DEPTH <input type="checkbox"/> - 6" - <input type="checkbox"/> 8" - <input type="checkbox"/> 12" <input type="checkbox"/> - OTHER: __	GRADE <input type="checkbox"/> - T304 STAINLESS STEEL <input type="checkbox"/> - T316 STAINLESS STEEL	OUTLET PIPE <input type="checkbox"/> 3" - <input type="checkbox"/> 4" - <input type="checkbox"/> 6" - <input type="checkbox"/> OTHER: __	TOLERANCES X = ±0.1 .XX = ±0.04 .XXX = ±0.004 FRACTIONAL = ± 1/16" ANGULAR = ± 0.5°
---	--	--	--	---



manufactured by Eric'sons

SPECIFICATION SHEET
FS12

NOTES
ALL SYSTEMS ARE FACTORY ASSEMBLED AND READY FOR SITE INSTALLATION

DESCRIPTION:
STAINLESS STEEL FLOOR SINK

WRITTEN SPECIFICATION:

BODY
Floor sink shall be DuraTrench as manufactured by Eric'sons, 296 Industrial Blvd N., Dallas, GA 30132 - (770-505-6575). The floor sink body shall be and constructed from 14ga (typical) T304 stainless steel (T316 available) per ASTM-A240. Floor sink body shall have a class 2b finish standard. Optional bead blast finish as required on the contract documents.

FRAME
Frame is integrally formed into the trench body to ensure a smooth and sanitary trench body.

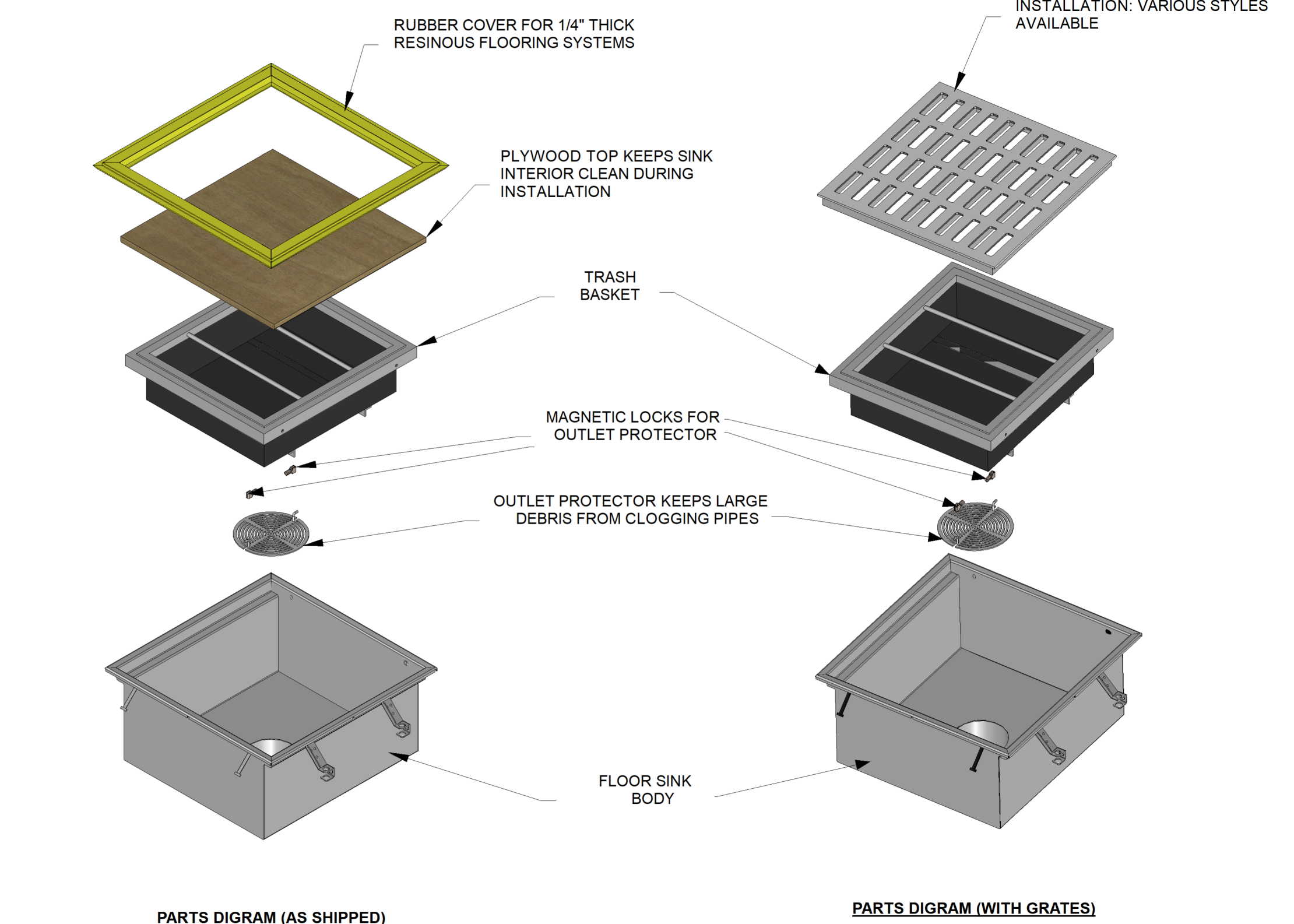
- ADDITIONAL OPTIONS**
- TRASH BASKET (1/8" HOLES)
 - TRASH BASKET (1/4" HOLES)
 - ANCHOR FLANGE
 - CLAMPING COLLAR W/WEEP HOLES
 - TRAP PRIMER CONNECTION

PRODUCT DATA

MATERIAL:	STAINLESS STEEL
FINISH:	CLASS 2B STANDARD
ANCHORS:	3" X 3/8" Ø
INSTALL DEVICE	RIGID STAMPED METAL FOR #4 BARS
LOAD RATING:	HEAVY DUTY

PHONE: 770-505-6575	MODEL BY: JDP
296 INDUSTRIAL BLVD. N. DALLAS, GA 30132	DRAWING BY: TAA
	REVIEWED BY: LRC
222 WEST 33RD ST. OGDEN, UT 84401	DATE: 09/06/2024
13300 RAMBLEWOOD DR. CHESTER, VA 23836	SCALE: 1 : 4
	REV #: 0

WWW.DURATRENCH.COM



PARTS DIGRAM (AS SHIPPED)

PARTS DIGRAM (WITH GRATES)

<p>GRATE SIZE (W x L)</p> <p><input type="checkbox"/> - 12" X 12" <input type="checkbox"/> - 18" X 18"</p> <p><input type="checkbox"/> - 24" X 24" <input type="checkbox"/> - OTHER: __</p>	<p>DEPTH</p> <p><input type="checkbox"/> - 6" - <input type="checkbox"/> 8" - <input type="checkbox"/> 12"</p> <p><input type="checkbox"/> - OTHER: __</p>	<p>GRADE</p> <p><input type="checkbox"/> - T304 STAINLESS STEEL</p> <p><input type="checkbox"/> - T316 STAINLESS STEEL</p>	<p>OUTLET PIPE</p> <p><input type="checkbox"/> 3" - <input type="checkbox"/> 4" - <input type="checkbox"/> 6" - <input type="checkbox"/> OTHER: __</p>	<p>TOLERANCES</p> <p>X = ±0.1</p> <p>.XX = ±0.04</p> <p>.XXX = ±0.004</p> <p>FRACTIONAL = ± 1/16"</p> <p>ANGULAR = ± 0.5°</p>
--	---	---	---	--