



manufactured by Eric'sons

SPECIFICATION SHEET
CD12

DESCRIPTION: **HEAVY DUTY STAINLESS STEEL FLOOR DRAIN**

SELECT OUTLET SIZE AND TYPE

OUTLET NORMAL SIZE (IN)	SCH10	SCH40	PUSH FIT
3"			
4"			
6"			
8"			
OTHER: ___"			

OPTIONS (SELECT ONE PER ROW)

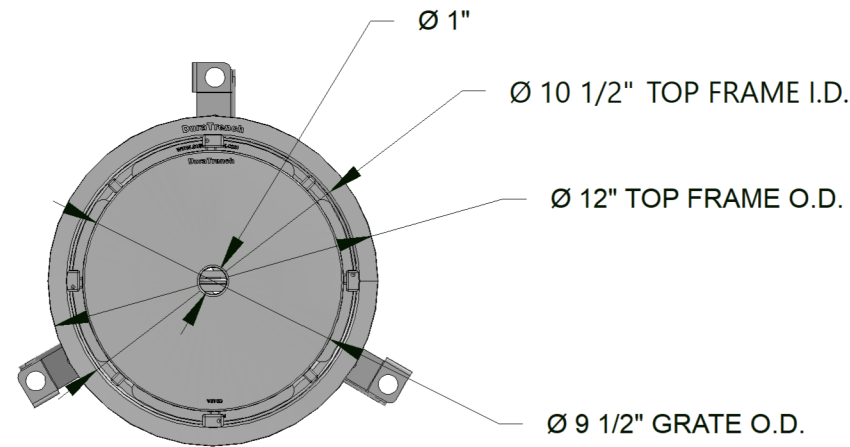
GRATE/COVER	CD10A	CD10B	CD10C
LOCKING SET SCREWS	YES	NO	
STRAINER TYPE	STRAINER BASKET	OUTLET PROTECTOR	BOTH
SELECT DEPTH	6 1/4"	10 1/4"	
CLAMPING COLLAR	YES	NO	

PRODUCT DATA

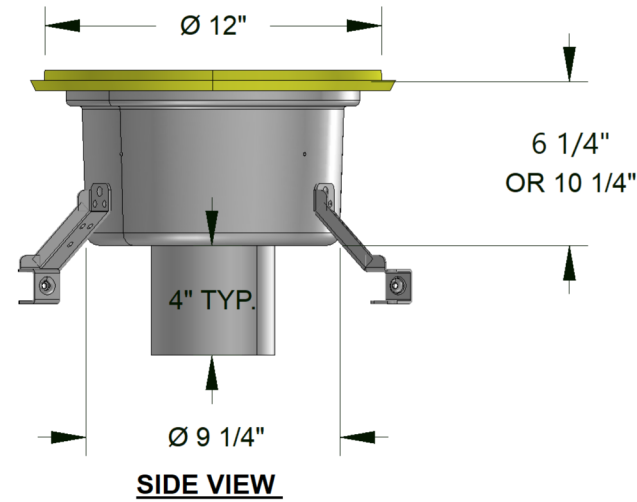
MATERIAL:	SEAMLESS T316 SS
FINISH:	GLASS BEAD BLAST TYP.(OTHERS AVAILBLE)
INSTALL DEVICE:	RIGIED STAMPED METAL BRACKETS FOR #4 REBAR
LOAD RATING:	ASME EXTRA HEAVY DUTY
OUTLET SIZE:	AS SPECIFIED (4IN SCH10 SHOWN)
LOCKING DEVICE:	OPTIONAL SCREWS - CDLC12

PHONE: 770-505-6575	MODEL BY: JDP
296 INDUSTRIAL BLVD. N. DALLAS, GA 30132	DRAWING BY: TAA
	REVIEWED BY: LRC
222 WEST 33RD ST. OGDEN, UT 84401	DATE: 09/10/2024
13300 RAMBLEWOOD DR. CHESTER, VA 23836	SCALE: 1 : 4
	REV # : 0

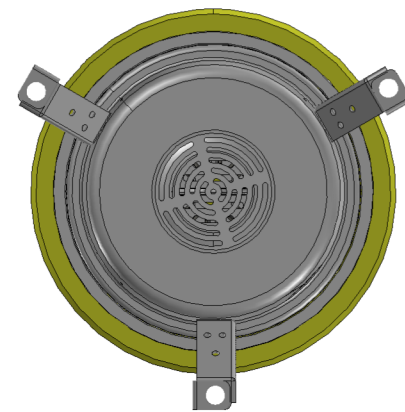
WWW.DURATRENCH.COM



TOP VIEW
(RUBBER COVER HIDDEN FOR CLARITY)

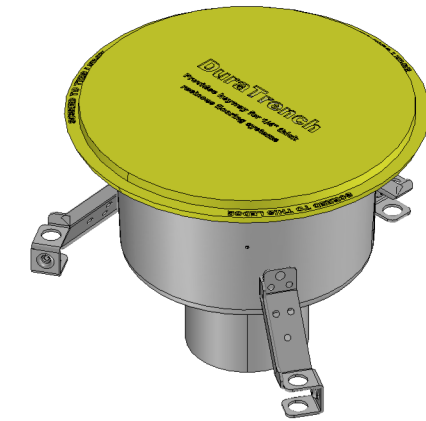


SIDE VIEW

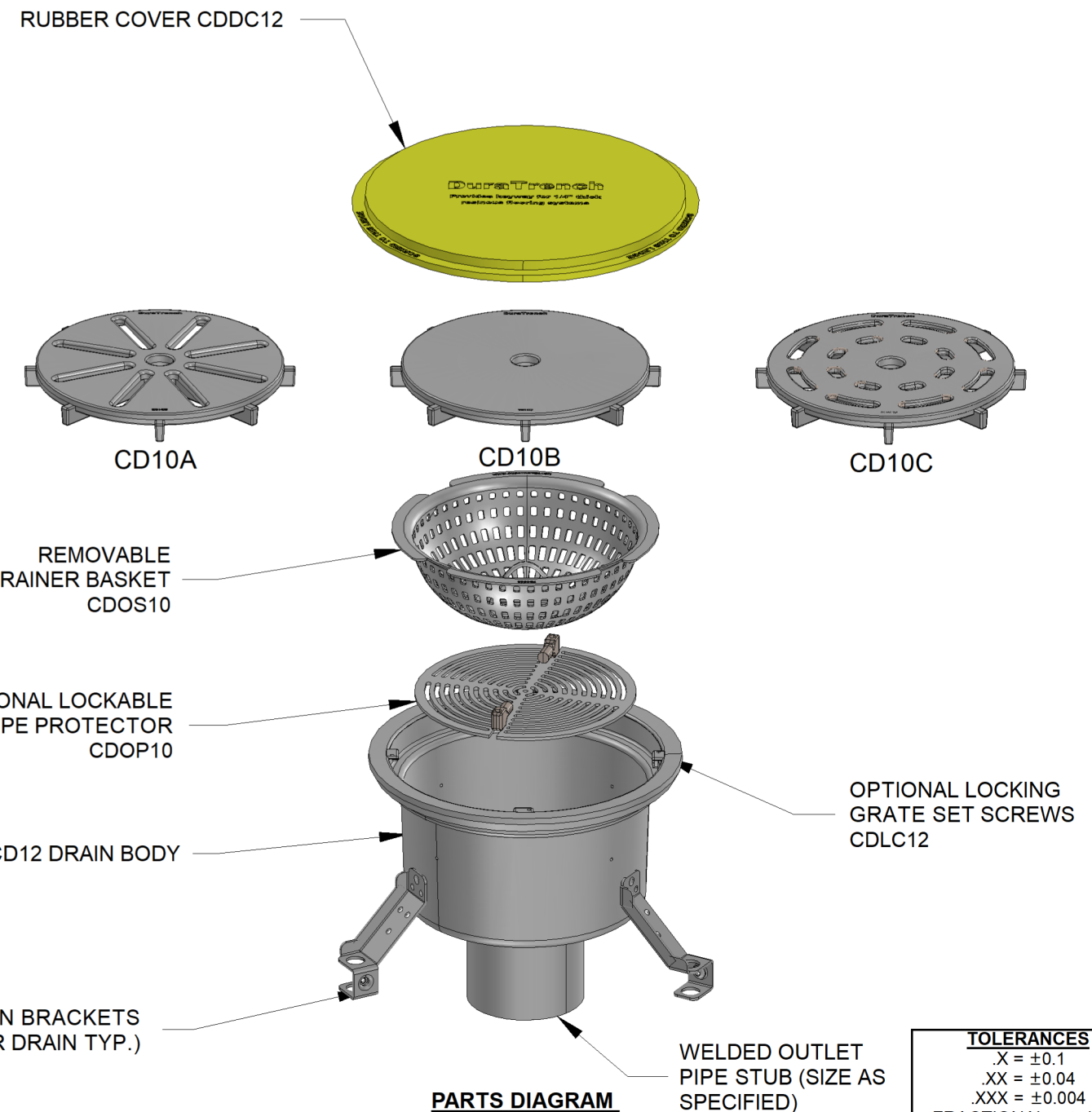


BOTTOM VIEW

NOTE: CLAMPING COLLAR AVAILABLE, NOT DEPICTED



ISOMETRIC VIEW



PARTS DIAGRAM

TOLERANCES	
X	± 0.1
.XX	± 0.04
.XXX	± 0.004
FRACTIONAL	± 1/16"
ANGULAR	± 0.5°